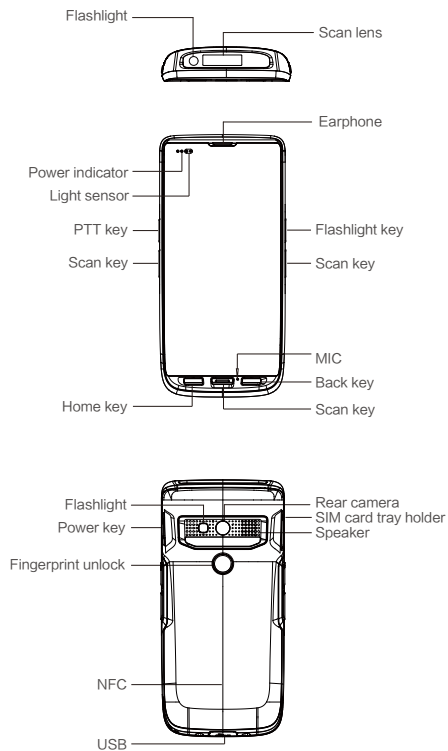
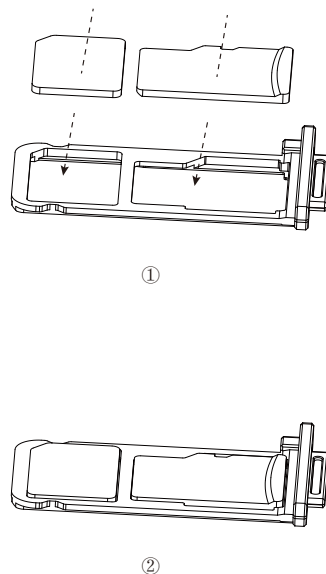


Overview of iData 80



Inserting a SIM Card

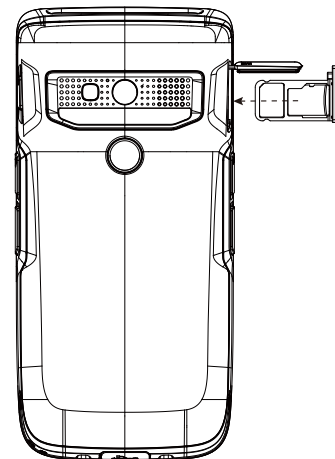
1. Put into card tray holder according to the arrow direction.



(Note: Device uses Nano SIM card, supports all networks.)

Inserting a MicroSD Card

1. Open rubber stopper, push the card tray holder that with MicroSD card installed, into the card slot according to arrow direction, put on rubber stopper.



(Note: Device equips reusable slot of MicroSD card and Nano card; SIM card slot is compatible and same installation way to MicroSD.)

Charging

You can charge a battery by using:

1. Power adapter & USB cable;
2. 4-slot charging stand(to be purchased separately).



Description of charging indicator:

When the battery is in the charging status, the charging indicator is in red.

When the battery is fully charged, the charging indicator is in green.

When the battery volume is low,
 (1) a message indicating that the battery volume is less than 20% is displayed on the screen.

(2) the iData 80 gives out a low battery prompt tone.

(3) the charging indicator blinks in red.

Tips

The following operations help obtain a longer standby duration of the device.

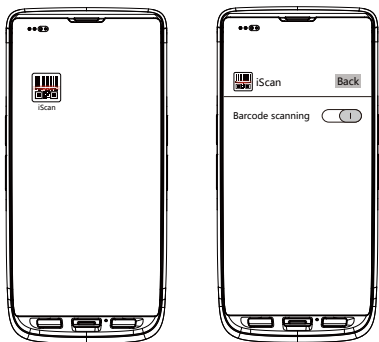
Shorten the time to sleep by selecting Settings > Display > Sleep.
 Set the screen brightness to a small value by selecting Settings > Display > Brightness.

Disable functions that are not frequently used, for example, GPS, Bluetooth, Wi-Fi and 3G communication.

Enabling the Scan Function

To start the iScan program and enable scanning, do as follows:

1. Click the iScan icon on the menu page.
2. Click the blue slider on the right of Enable Barcode Scanning to enable the scanning function (if you click the slider again, the scanning function is disabled).
3. Press the yellow key to scan a barcode. When the scanning indicator becomes blue from red and a beep is heard, the barcode is scanned successfully.

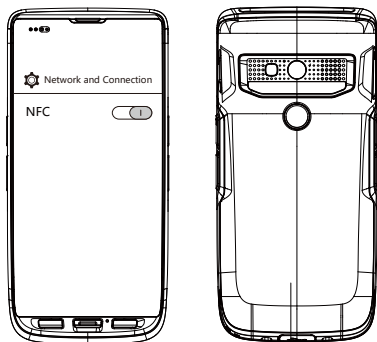


Note: iScan is used to scan barcodes. By default, iScan is installed and scanning is enabled upon delivery of the device. You can download the latest version from the following address: <http://t.cn/8k5hWCo>

Enabling the NFC Function

To enable the NFC function, do as follows:

1. Click the Settings icon on the menu page.
2. Select WIRELESS & NETWORKS/More > NFC.
3. Click the blue slider on the right to enable NFC (if you click the blue slider again, NFC is disabled).
4. Put an NFC card close to the back of the iData 80. After a beep is heard, the card is read successfully.



NFC induction area

Troubleshooting

1. Fault: The iData 80 cannot be powered on.
Solution: Charge the iData 80.
2. Fault: After the iData 80 is connected to the charger, the charging identifier is not displayed.
Solution: Charge the iData 80 continuously for one hour. If the charging identifier is still not displayed, contact iData after-sales service personnel.
3. Fault: Charging is slow.
Solution: Make sure you use the original accessory for charging.
4. Fault: After a SIM card is inserted, the iData 80 cannot access the Internet.
Solution: Make sure that the SIM card is not in arrears and that the SIM card is correctly inserted.

After-sales Service

After-sales QQ account: 2782597064 (nickname: iData after-sales)

Email: support@idataglobal.com

Official website: www.idataglobal.com

Address: F 11, Building B1, Wuxi (Binhu) National Sensing Information Center, No.999, Gaolang East Road, Wuxi City, Jiangsu Province

To know more product information and download detailed instructions, visit the official website of iData.

The supporting software and SDK for relevant functions help you better use the iData 80.

© 2018 IDATA GLOBAL. All Rights Reserved.

iData series product warranty card

Dear customer,
Thank you for choosing iData product. You may enjoy the following services after buying iData product:

[Warranty of free repair service]

- 1) 12-month warranty is given to the device and battery and 3-month warranty is given to other accessories from the day of purchase against functional failure that is not caused due to manmade damage.
- 2) Our after-sale service department will mail out the repaired device within 24 hours after the device with any problem is received, so as to keep you wait for the shortest possible time.
- 3) A device of the same model will be provided free of charge for replacement of the device that cannot be used normally after being returned for repair due to the same problem for 3 times in 1 year.

[Warranty of paid repair service]

You may choose to use our paid repair service under the following circumstances (including but not limited to):

- 1) There is no warranty card, or the valid invoice is missing, or the warranty period has expired;
- 2) The damage is caused due to force majeure incidents, such as fire, flood, thunder and earthquake;
- 3) The damage is caused as a result of the user's failure to follow the user's manual on the use, maintenance and storage of the product.

- 4) The damage is caused due to the breakdown and repair of the device by non-authorized service personnel.
- 5) Normal wear or consumption of the product is found in its use.
- 6) The product cannot be used due to the reason related to the user's own internet connection and software problem.

Note:

The parts needed for the product repair service will be available for no more than 1 year after the product manufacturing ceases.

Reminder:

Please contact our customer service staff before sending any product to us.

Certificate of Quality
QA
PASS
QC Passed Approved for shipment